

## How to Install: Window Blinds/Shades

Pencil and paper  
Philips screwdriver  
To aid the process, use a power drill

### Inside Mount Installation

The Window Treatment will fit inside the recess of the window.

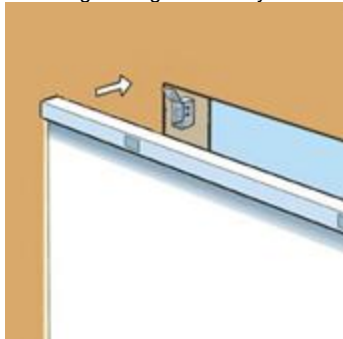
**Step 1:** Mark the holes with your pencil holding the bracket inside the recess. This will ensure that the window treatment is also flush with the wall.



**Step 2:** Drill holes. Fit the fastener into the holes.



**Step 3:** Screw in the bracket with a Philips screw driver or Drill tightening all the way.



**Step 4:** Repeat steps 1-3 for opposite side.

**Step 5:** Open the bracket doors and slide window treatment into place. Close doors and mount valance.

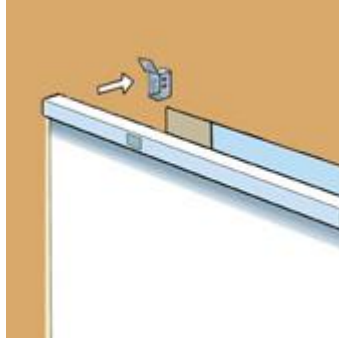
### Outside Mount Installation

The Window Treatment will fit outside the recess of the window.

**Step 1:** Mark the exact points with pencil that you measured for the window treatment. Then place the brackets so that the outsides are on the marks. This will ensure that the brackets are separated correctly allowing for an easy fit.



**Step 2:** Drill holes. Fit the fastener into the holes.



**Step 3:** Screw in the bracket with a Philips screw driver or Drill tightening all the way.



**Step 4:** Repeat steps 1-3 for opposite side.

**Step 5:** Open the bracket doors and slide window treatment into place. Close doors and mount valance.