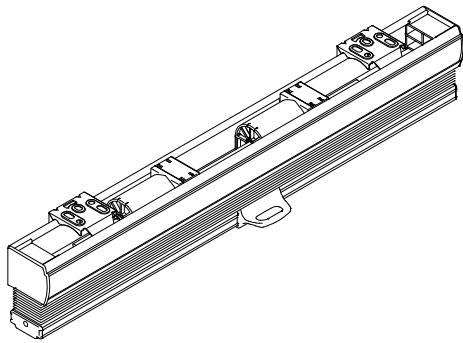


Cordless Cellular Shade Installation Instructions

Congratulations on purchasing the best in class cordless cellular shade on the market. You will be overjoyed with this superior product in which quality was never compromised. Boasting measurable insulation, noise reduction, energy efficiency, and child safety – you can take pride that your purchase will enhance the function and beauty of your home.

Parts Included:

Shade Width	Brackets	Hold-down Bracket (Optional)	Handle	Larger Screws (Bracket)	Smaller Screws (Hold-down Bracket)
18" to 37.9"	2	2	1	4	4
38" to 72"	3	2	2	6	4

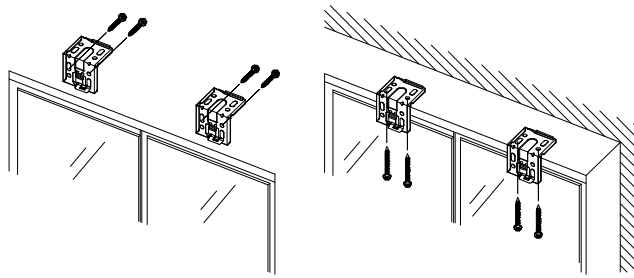


Step 1 - Install end caps, handle and positioning the shade

Install the end caps into the head rail and bottom rail. Snap the handle at the center of bottom rail.

Select the method of mounting your shade that best suits your purpose.

- 1) Inside the window frame.
- 2) On the outside of frame
- 3) On the overhead surface ceiling.



Outside Mount

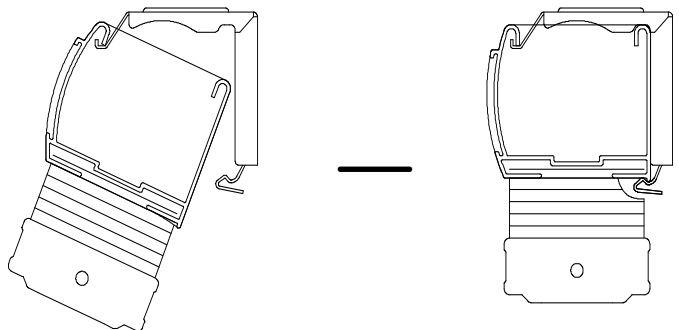
Inside Mount

Step 2 - Installing the mounting brackets

Bracket should be placed at the end of the width of the shade's head rail 4 inches from each end. If your shade is supplied with the support brackets, position them evenly between the end mounting brackets. Make sure the support bracket is in line with the end mounting brackets.

Step 3 - Fitting the cellular shade into the brackets

Slide the rear of the head rail onto the metal tabs at the front of the bracket, and push up to lock the head rail in place. Check carefully to assure that each bracket is properly secured.



Please allow 24 hours for your shade to drop to its actual height when first installed due to the nature of the fabric.